

WMK-363

960H x36 Zoom

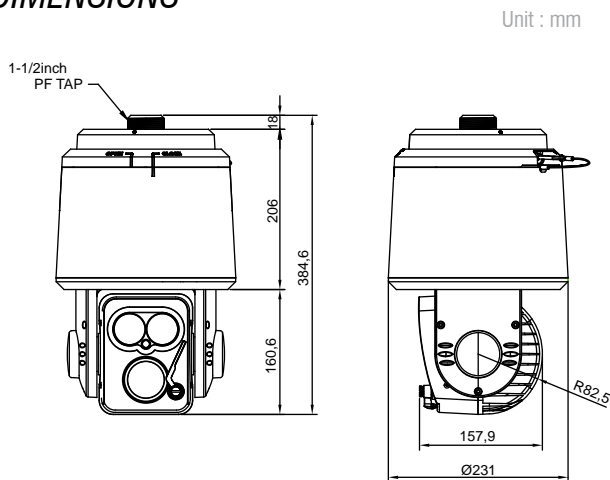
Twin Motorized Zoom IR PTZ Camera



FEATURES

- 1/4" 613K pixels Sony Super HAD II (Double scan) CCD
- Progressive scan 612,688 pixel
- 36x Optical Zoom, Digital 32x zoom
- Super High Resolution 700 TV lines - HR 7mode
- Day & Night (ICR)
- Wide Dynamic Range(512x)
- Digital Noise Reduction(2D+3D)
- Privacy Mask Function
- High Light Compensation (HLC) Function
- Preset up to 255points, 8 Programmable tours, 4 Patterns for 60 seconds
- 8Alarm-in, 2dry contact relay-out rating 2A@30VAC
- Weather-proof IP66 outdoor housing
- Twin motorized IR Zoom lens for IR intensity and distance adjustment
- Optically perfect flat viewing window preventing from blooming and smear
- Resistant to arctic temperature of -50 °C
- Corrosion-resistant external ABS housing
- Ease of installation and maintenance from PTZ docking cradle

DIMENSIONS



- ❖ 960H
- ❖ Dual Scan WDR
- ❖ Twin motorized zoom IR
- ❖ -50°C~+70°C All weather High Tolerance

Providing brighter and clearer image

WMK-363's toughened glass viewing window is optically correct and distortion free providing brighter, clearer images, even at full telephoto zoom ratio. WMK-363 and its IR motorized zoom lens offers a rich viewing experience even in total darkness, though smoke, light fog and in the most adverse weather conditions which make the camera in hard-to-focusing.

WMK-363 is well protected with internal aluminum die-casting for shock-resistance, and the external ABS housing for corrosion-resistant for longer life, which is IP66 certified.

The advanced PTZ mechanism docking structure is extremely installation-friendly designed as well.

WMK-363's precise pan/tilt mechanism gives operators accurate pointing control while providing fully programmable scan patterns and slew-to-alarm functionality and delivers variable pan/tilt speeds from a speed of only 0.1° per second up to 120°/80° per second. The camera is capable of pan speeds of 250° per second between presets.

SPECIFICATIONS

MECHANICAL		
Dimension	231 (Ø) x 385mm(H)	
Weight	Approximately 6.3Kg	
Body	IP66, External ABS / Internal Aluminum	
IR LED	IR motorized Zoom	
Pan	360°Continuous Pan, 0.1° to 120°/sec (proportional to zoom)	
Pan Preset Speed	250°/sec, ± 0.1° Accuracy	
Tilt	-8°(352°) to 188° movement, 0.8°~80°/sec (proportional to zoom)	
Tilt Preset Speed	250°/sec, ± 0.05° Accuracy	
ELECTRICAL		
Power Source	AC21~26V 60Hz / 50Hz(Power adaptor not included)	
Heater & Cooling Fan	30W / 10000RPM Cooling Fan	
Operating Temperature	-50°C to 70°C	
Humidity	0% to 90% (non-condensing)	
COMMUNICATION		
PTZ Control	Method	RS-485(2wire)
CAMERA		
Image Sensor	1/4" SONY Super HAD II CCD (Double Scan)	
Zoom	Optical 36x, Digital 32x	
Total Pixels	NTSC : 1028 (H) x 508 (V) / PAL : 1028 (H) x 596 (V)	
Scanning system	Interface	
Scanning Frequency	NTSC : 15.734KHz (H), 59.94Hz(V) / PAL : 15.625KHz(H) , 50Hz(V)	
Sync.System	Internal	
Resolution	700TV lines (Color) / 800TV lines (BW)	
Min.Illumination	Color DSS : 0.001 lux, BW DSS:0.0004 lux / Color : 0.5lux, BW : 0.2 lux	
Video Output	1.0 Vp-p (75ohm, composite)	
S/N Ratio	More than 50dB(AGC off)	
Focal Length	f=3.4mm~122.4mm (F 1.6 to 4.5)	
Focus	Auto / Zoom -Trig / Manual	
Focus Distance	0.1 / 1.3 / 1.8 / 3.0 / 5.0 m	
E.Zoom	Off / Max 2x ~32x	
Exposure	Auto / Shutter PRI / Manual	
Gain Control	Off / On (Auo Max 32dB)	
Shutter Speed	NTSC : 1/60 ~1/100,000sec PAL : 1/50~1/100,000sec	
WDR / BLC	Off / WDR / BLC	
Day&Night	Auto / Sens-in / Ext / Day / Night	
White Balance	ATW / One-Push / Indoor / Outdoor / Manual/ Auto	
Image DNR	Off / Manual / Auto	
Privacy Mask	Off / 8 zones	