

IRF-600P-30

960H 700TVL Fixed Lens IR Bullet Camera



FEATURES

- 1/3" 2:1 Interlaced CCD
- Total Pixels: 520K(NTSC)/610K(PAL) pixels
- 700TVL High Resolution
- 2D+3D Digital Noise Reduction
- 6mm Fixed Lens
- 30pcs IR LED (IR Distance 25m)
- DC12V operation
- CDS Auto Switching IR-LED Control
- Viewable Length at Night Over 25m
- Waterproof (IP66)

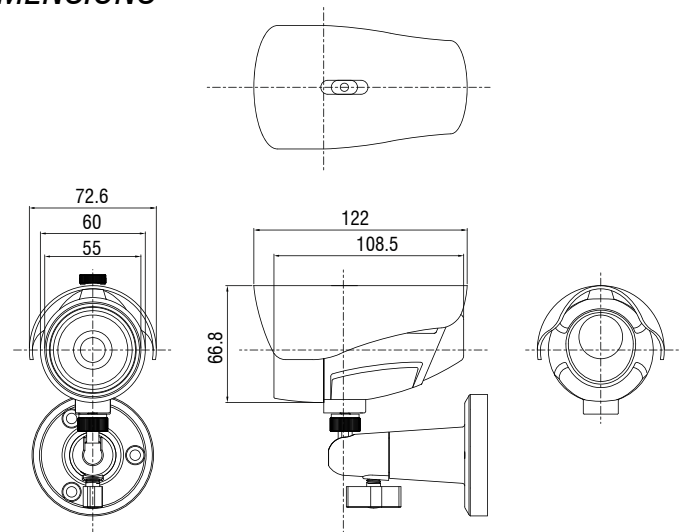
IP66 (Ingress Protection Rating)

The heavy-duty waterproof aluminum die-cast housing completely protects the mechanism from dust and high-pressured water allowing the camera to be used in even the most extreme environments.

SPECIFICATIONS

MODEL	IRF-600N-30	IRF-600P-30
Image Sensor	1/3" 2:1 Interlaced CCD	
Total Pixels	1020(H) × 508(V)	1020(H) × 596(V)
Effective pixels	976(H) × 494(V)	976(H) × 582(V)
Scanning system	2:1 Interlace	
Scanning Frequency	15.734KHz(H),59.94Hz(V)	15.625KHz(H),50Hz(V)
Sync. System	Internal	
Horizontal Resolution	Max 700 TV lines in color	
Min. illumination	Color : 0.3 Lux, BW : 0.1 lux	
Video Output	1.0 Vp-p (75 ohm, composite)	
S/N Ratio	more than 50dB (AGC off)	
Lens	6mm Fixed Lens	
Shutter Speed	1/60 ~ 1/120,000 sec	1/50 ~ 1/120,000 sec
Power Source	DC12V±10%	
Power Consumption	Max 350mA	
Power Input	Connector	
Video Output	Connector	
Operating Temperature	-10℃ ~ +50℃	
Operating Humidity	0 ~ 86% (non-condensing)	
Storage Temperature	-20℃ ~ +60℃	

DIMENSIONS



Unit : mm